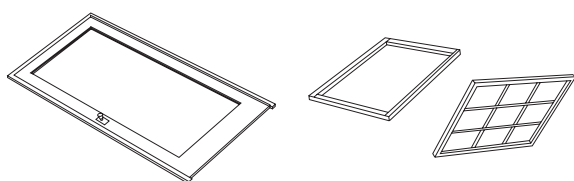




Blossom, the urban agriculture workshop is a company offering resources for a productive urban garden as well as equipment and manual tools adapted to small areas. Make your hands happy, plunge them into the ground !

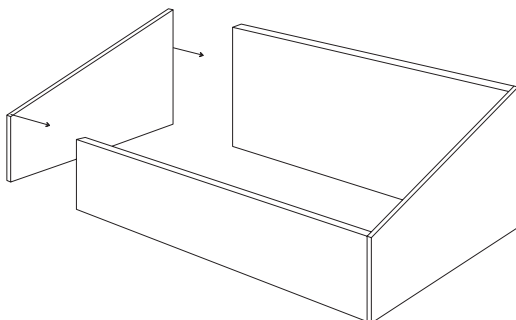
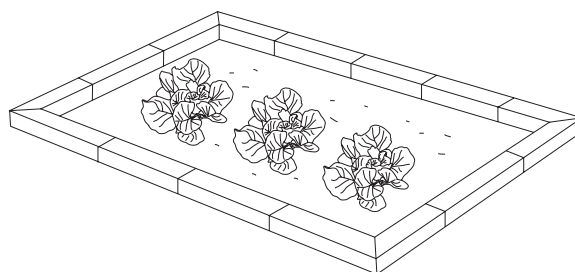
latelierblossom.com

HOW TO BUILD YOUR OWN « COLD FRAME »



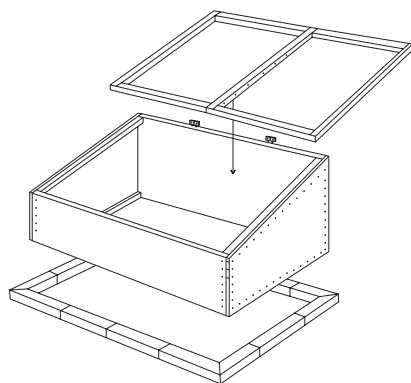
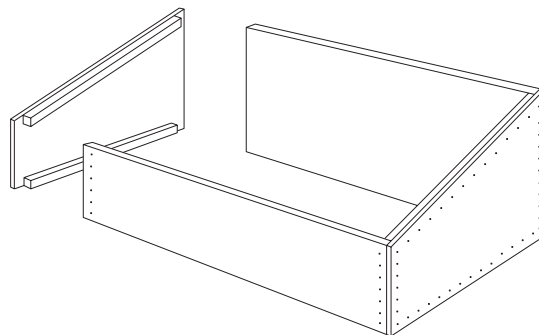
- 1 Find a used window in an Ecocentre, in a warehouse or by asking around you. Anything paned will work – just keep the three R's in mind !

- 2 Measure your window(s) and mark out the size of your garden accordingly). You can use bricks or pieces of wood.



- 3 Cut two planks of wood, one to around 12 inches (30cm) in height and the other to around 20 inches (50cm) in height. Their lengths will be determined by your window. Then cut two more planks, for the sides, using the same measurements (12 & 20 inches) in order to create a slightly angled frame.

- 4 Nail or screw the planks together. You can also place small pieces of wood at the corners to reinforce your frame. The more solid, the better.



- 5 Place the frame over your brick border, then place your windows on top. If you like, you can install two dowels and a handle to make opening and closing easier.

GOOD TO KNOW

Don't forget to clear the snow from the window of your cold frame. For the coldest nights (below -5°C), protect your cold frame by covering it with an old blanket. During the winter and fall, there is no need for watering. Keep your cold frame warmer by surrounding it with

straw. You can also put straw directly on the ground between your vegetables. Your cold frame can be used as a small greenhouse to start your seeds at the beginning of spring. On spring days over 20°C, open your cold frame to prevent overheating.